

Numbering heads

Technical data sheet

ANPW numbering head

Automatically adjustable

- The numbering switch effects after every marking stroke
- Font height from 1 to 8 mm



VNPW numbering head

Manually adjustable

- The adjustment of the wheels is manually through releasing the levers
- Font height from 1 to 8 mm



TNPW numbering head

Adjustable through key-levers

- The adjustment of the wheels effects manually through pressing the key-levers
- Font height from 1 to 8 mm

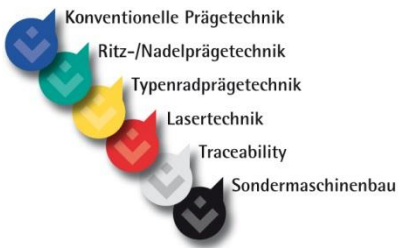


MNPW numbering head

Manually adjustable

- The bolt locks the wheels in the desired position
- Specially suitable for hand stamping tools
- Font height from 1 to 5 mm





Application area

BORRIES numbering heads were used to mark consecutive numbering, serial or model-number on almost all materials like steel, cast iron, aluminum, plastic etc. The application area ranges from the single production up to the integration in automatic production or transfer lines.

The numbering heads can be combined with each other and extended with type holders and steel types. Besides numbers, letters or special engravings are also available.

All BORRIES products are assembled with the highest precision and quality standard. It guarantees a long life time and a high stability.

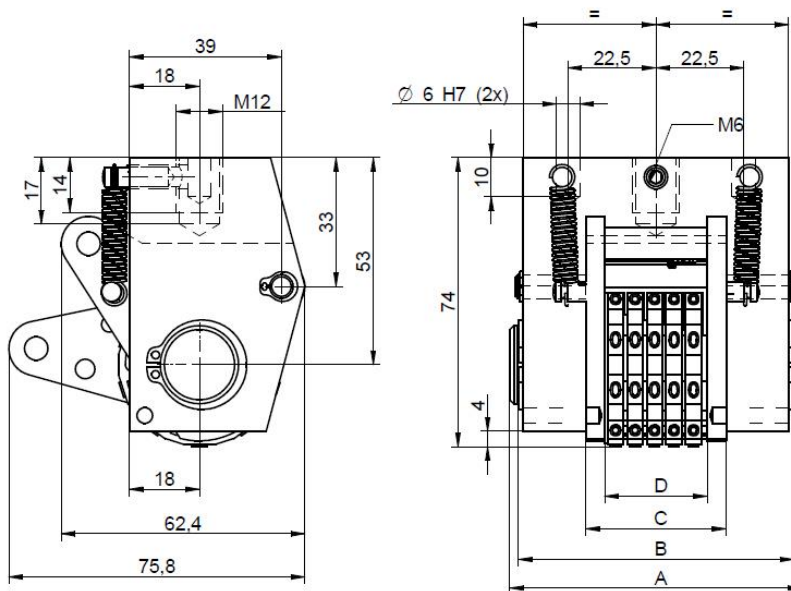
Options

Besides the BORRIES standard products we also deliver any possible special designs, like for example numbering heads with:

- font heights higher than 8 mm
- multiple or special changes
- concave or convex engravings
- special engravings
- special executions, pneumatic, electric controlled up to position check
- built-on type holders
- special switchgears
- initiator-monitor
- pneumatic switchgear
- nickel-plated, coated marking wheels
- hot marking units etc.



ANPW numbering head



Cage	Size 1	Size 2	Size 3	Size 4	Size 5	Size 6
Dimension A	62	68	75	82	92	105
Dimension B	55	61	68	75	85	98
Dimension C	23	29	36	43	53	66

Dimension of the cage C = marking width D + (>) 10 mm

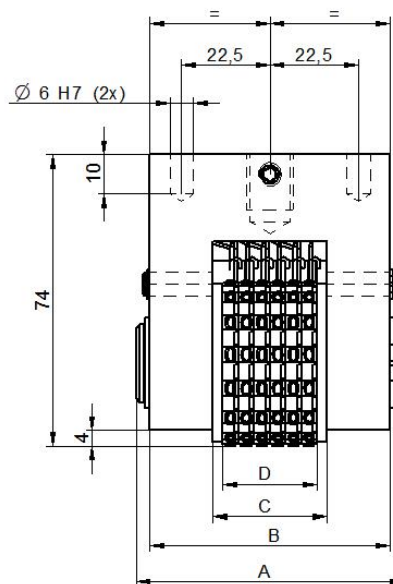
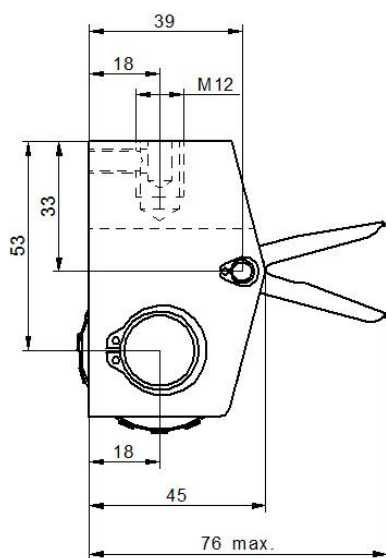


	Medium-spaced lettering standard								Semi closed spaced lettering								close-spaced lettering								Number of marking wheels
	10 division								10 division								10 division								
Font-height	1,5	2	2,5	3	4	5	6	8	2	2,5	3	4	5	6	8	2	2,5	3	4	5	6	8			
Dimension D = marking width	3,7	5	6	7	9	11	13	17	3,7	5	6	7	9	11	13	3,7	3,7	5	6	7	9	11	2		
	5,9	8	9,5	11	14	17	20	26	5,9	8	9,5	11	14	17	20	5,9	5,9	8	9,5	11	14	17	3		
	8,1	11	13	15	19	23	27	35	8,1	11	13	15	19	23	27	8,1	8,1	11	13	15	19	23	4		
	10,3	14	16,5	19	24	29	34	44	10,3	14	16,5	19	24	29	34	10,3	10,3	14	16,5	19	24	29	5		
	12,5	17	20	23	29	35	41	53	12,5	17	20	23	29	35	41	12,5	12,5	17	20	23	29	35	6		
	14,7	20	23,5	27	34	41	48	14,7	20	23,5	27	34	41	48	14,7	14,7	20	23,5	27	34	41	7			
	16,9	23	27	31	39	47	16,9	23	27	31	39	47	16,9	16,9	23	27	31	39	47	8					
19,1	26	30,5	35	44	53	19,1	26	30,5	35	44	53	19,1	19,1	26	30,5	35	44	53	9						
21,3	29	34	39	49	21,3	29	34	39	49	21,3	29	34	39	49	21,3	21,3	29	34	39	49	10				

Example: A font height of 4 mm in medium-spaced lettering with 5 characters results in a marking width D of 24 mm and therefore cage size 3 must be chosen (grey highlighted).

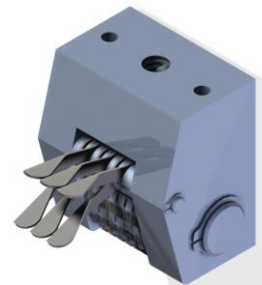


VNPW numbering head



Cage	Size 1	Size 2	Size 3	Size 4	Size 5	Size 6
Dimension A	62	68	75	82	92	105
Dimension B	55	61	68	75	85	98
Dimension C	23	29	36	43	53	66

Dimension of the cage C = marking width D + (>) 2 mm

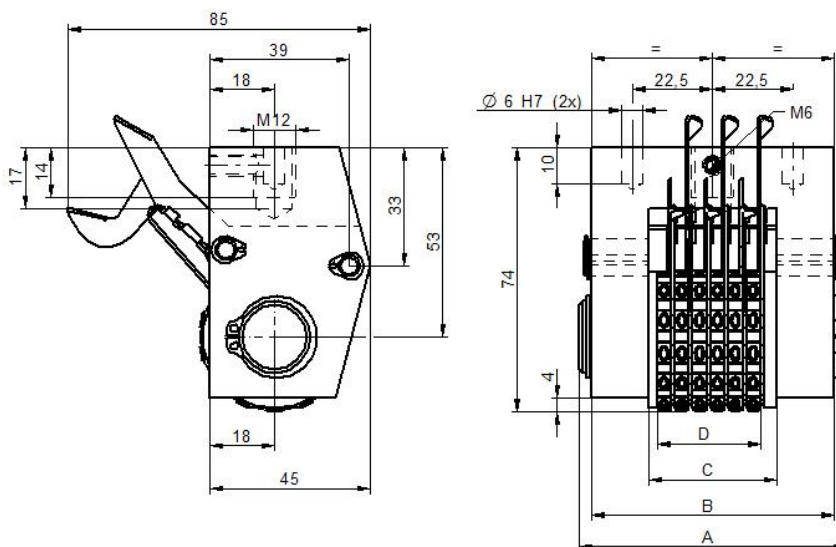


	Medium-spaced lettering standard								Semi closed-spaced lettering								close-spaced lettering								Number of marking wheels
	15 division								15 division								15 division								
Font height	1,5	2	2,5	3	4	5	6	8	2	2,5	3	4	5	6	8	2	2,5	3	4	5	6	8	2		
Dimension D = marking width	3	4	5	6	8	11	13	17	3	4	5	6	8	9	13	3	3	4	5	7	8	11	2		
	4,5	6	7,5	9	12	17	20	26	4,5	6	7,5	9	12,5	14	20	4,5	4,5	6	7,5	11	12,5	17	3		
	6	8	10	12	16	23	27	35	6	8	10	12	17	19	27	6	6	8	10	15	17	23	4		
	7,5	10	12,5	15	20	29	34	44	7,5	10	12,5	15	21,5	24	34	7,5	7,5	10	12,5	19	21,5	29	5		
	9	12	15	18	24	35	41	53	9	12	15	18	26	29	41	9	9	12	15	23	26	35	6		
	10,5	14	17,5	21	28	41	48	62	10,5	14	17,5	21	30,5	34	48	10,5	10,5	14	17,5	27	30,5	41	7		
	12	16	20	24	32	47	55	12	16	20	24	35	39	55	12	12	16	20	31	35	47	8			
13,5	18	22,5	27	36	53	62	13,5	18	22,5	27	39,5	44	62	13,5	13,5	18	22,5	35	39,5	53	9				
15	20	25	30	40	59	15	20	25	30	44	49	15	15	20	25	39	44	59	10						

Example: A font height of 3 mm in medium-spaced lettering with 5 characters results in a marking width D of 15 mm and therefore cage size 1 must be chosen (grey highlighted).



TNPW numbering head



Cage	Size 1	Size 2	Size 3	Size 4	Size 5	Size 6
Dimension A	62	68	75	82	92	105
Dimension B	55	61	68	75	85	98
Dimension C	23	29	36	43	53	66

Dimension of the cage C = marking width D + (>) 2 mm

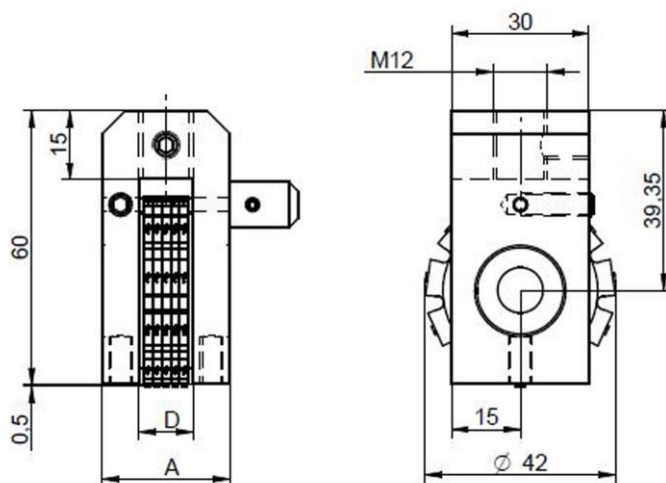


	Medium-spaced lettering standard								Semi closed-spaced lettering								close-spaced lettering								Number of marking wheels					
	14 division				11				14 division				11				14 division				11									
Font height	1,5	2	2,5	3	4	5	6	8	2	2,5	3	4	5	6	8	2	2,5	3	4	5	6	8	2	2,5	3	4	5	6	8	
Dimension D = marking width	4	5	6	7	9	11	13	17	4	5	6	7	9	11	13	4	4	5	6	7	9	11	4	4	5	6	7	9	11	2
	6,5	8	9,5	11	14	17	20	26	6,5	8	9,5	11	14	17	20	6,5	6,5	8	9,5	11	14	17	6,5	6,5	8	9,5	11	14	17	3
	9	11	13	15	19	23	27	35	9	11	13	15	19	23	27	9	9	11	13	15	19	23	9	9	11	13	15	19	23	4
	11,5	14	16,5	19	24	29	34	44	11,5	14	16,5	19	24	29	34	11,5	11,5	14	16,5	19	24	29	11,5	11,5	14	16,5	19	24	29	5
	14	17	20	23	29	35	41	53	14	17	20	23	29	35	41	14	14	17	20	23	29	35	14	14	17	20	23	29	35	6
	16,5	20	23,5	27	34	41	48	62	16,5	20	23,5	27	34	41	48	16,5	16,5	20	23,5	27	34	41	16,5	16,5	20	23,5	27	34	41	7
	19	23	27	31	39	47	55	19	23	27	31	39	47	55	19	19	23	27	31	39	47	19	19	23	27	31	39	47	8	
	21,5	26	30,5	35	44	53	62	21,5	26	30,5	35	44	53	62	21,5	21,5	26	30,5	35	44	53	21,5	21,5	26	30,5	35	44	53	9	
24	29	34	39	49	59	24	29	34	39	49	59	24	24	29	34	39	49	59	24	24	29	34	39	49	59	10				

Example: A font height of 4 mm in medium-spaced lettering with 5 characters results in a marking width D of 24 mm and therefore cage size 2 must be chosen (grey highlighted).



MNPW numbering head



Cage	Size 1	Size 2
Dimension A	28	40
Dimension D	12	24



	Medium-spaced lettering standard					Semi closed-spaced lettering					Close-spaced lettering					Number of marking wheels	
	15 division					15 division					15 division						
Font height	1,5	2	2,5	3	4	5	2	2,5	3	4	5	2	2,5	3	4	5	
D = Marking width	3	4	5	6	8	12	3	4	5	6	9	3	3	4	5	8	2
	4,5	6	7,5	9	12	18	4,5	6	7,5	9	13,5	4,5	4,5	6	7,5	12	3
	6	8	10	12	16	24	6	8	10	12	18	6	6	8	10	16	4
	7,5	10	12,5	15	20	7,5	10	12,5	15	22,5	7,5	7,5	10	12,5	20	5	
	9	12	15	18	24	9	12	15	18	9	9	12	15	24	6		
	10,5	14	17,5	21	10,5	14	17,5	21	10,5	10,5	14	17,5	7				
	12	16	20	24	12	16	20	24	12	12	16	20	8				
	13,5	8	22,5	13,5	18	22,5	13,5	13,5	18	22,5	9						
15	20	15	20	15	15	20	10										

Example: A font height of 3 mm medium-spaced lettering with 5 characters results in a marking width D of 15 mm and therefore cage size 2 must be chosen (grey highlighted).

Technical details are subject to change.

